

muvman

Stand or Sit? Both!

muv•man

Active-Sit-Stand

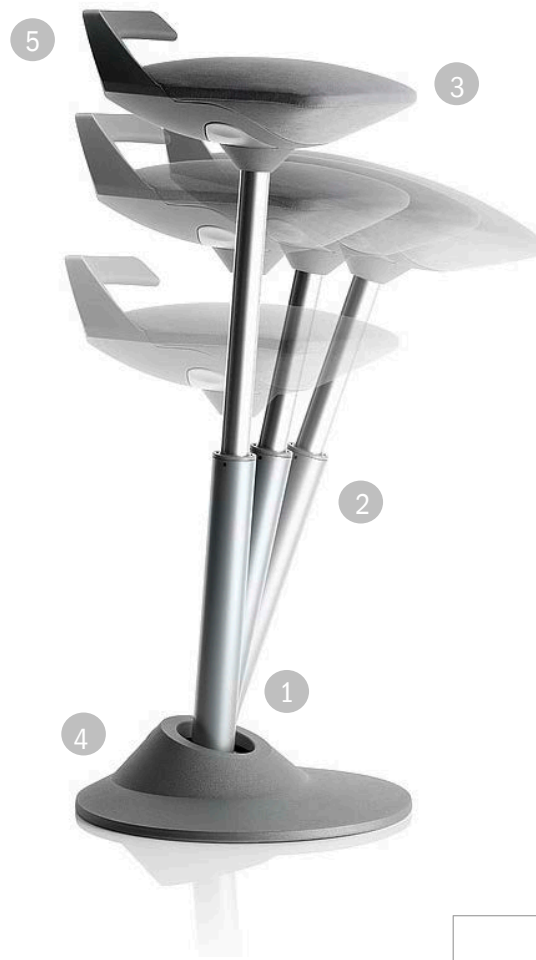
1) muvzone - the multidimensional movement element in the baseplate: Provides maximum sideways movement, extends your reach and ensures an optimum sitting posture with respect to the working surface.

2) Tilted spring strut: Relieves the intervertebral discs and encourages an upright posture with respect to the working surface.

3) Convex seat with flexible front edge: The shape of the seat encourages an upright posture and the flexzone prevents pressure points at seat edges.

4) Sturdy baseplate: Extremely stable with no danger of toppling.

5) Carrying handle: Practical handle for carrying the **muvman** to wherever it is needed.

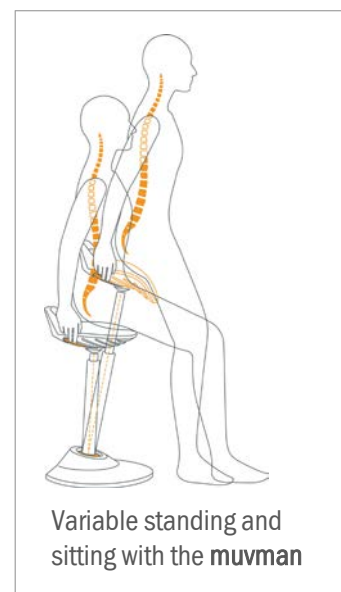


Setting options

- Seat height (gas spring)
Height adjustment range: 51cm – 84cm
(HIGH version: 60cm – 93cm)

Many advantages. Simply good.

- Acts against rigid standing and sitting
- Improves posture
- Extends reach
- Relieves and strengthens the back
- Strengthens and exercises muscles
- Stimulates blood circulation and lymph flow
- Supports blood circulation and supply of oxygen





movman

Moving, in every detail.

Technical Data

Product weight: 6.3kg
 Baseplate diameter: 38cm
 Seat height: 51cm – 84cm, HIGH version: 60cm – 93cm
 Load: max. 120kg
 Seat surface: 34cm x 32cm
 FACTORY version: With robust faux leather seat cover and dustproof cover for the movzone in the baseplate.

Models	Seat cover options	Seat cover colours	Base colour	HIGH version
movman	Microfibre	grey, black, green, blue	grey or black	Extra charge 
movman FACTORY Special version for high demands in the manufacturing and laboratory sectors	Robust special seat cover	black	grey or black	Extra charge 

Options (extra charge)

HIGH version Seat height 60cm – 93cm

